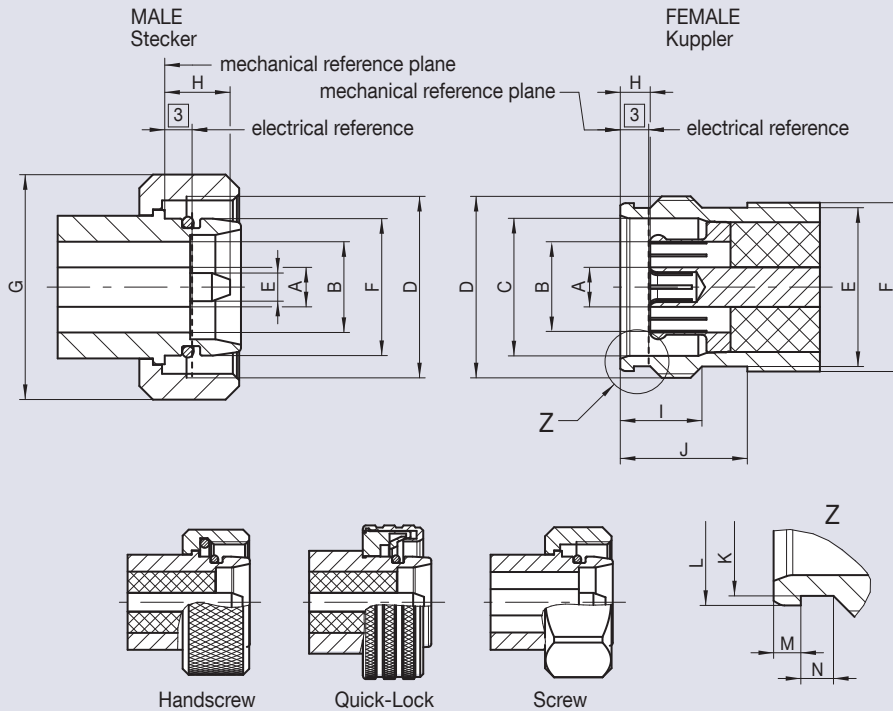


4.3-10

Interface Dimensions 4.3-10

Code 64



	Male Stecker		Female Kuppler	
	min.	max.	min.	max.
A	4.35 nom.		4.35 nom.	
B	10.00 nom.		9.80	10.20
C	-	-	15.13	15.19
D	M 20 x 1		M 20 x 1	
E	3.07	3.13	17.45	17.55
F	15.07	15.11	18.60	-
G	SW 22		-	-
H	-	8.00	3.10	3.50
I	-	-	8.70	9.00
J	-	-	13.90	14.10
K	-	-	17.40	17.50
L	-	-	18.44	18.50
M	-	-	1.44	1.50
N	-	-	1.70	1.90

Dimensions in mm

Three different coupling mechanisms of the 4.3-10 plugs screw, quick-lock/push-pull and hand-screw types are mateable with all 4.3-10 jacks.

Die drei verschiedenen 4.3-10-Steckervarianten Screw, Quick-Lock/Push-Pull und Hand-Screw sind mit allen 4.3-10-Kupplern koppelbar.

Features

- ▶ Interface according IEC 61169-54
- ▶ Frequency range DC to 12 GHz
- ▶ Return loss (cable connector straight) ≥ 36 dB @ DC to 4 GHz
- ▶ Minimum pitch: ≥ 25.4 mm
- ▶ Low PIM
- ▶ Screw, quick-lock/push-pull, hand-screw coupling

Product Range

- ▶ Cable connectors
- ▶ Panel connectors
- ▶ Adaptors

Technical Data 4.3-10

Code 64

Applicable standards Anwendbare Normen	
Interface according to Interface gemäß	IEC 61169-54
Electrical data Elektrische Daten	
Impedance Wellenwiderstand	50 Ω
Frequency range Frequenzbereich	DC to 12 GHz
Return loss (cable connector straight) Rückflusdämpfung (Kabelsteckverbinder gerade)	≥ 36 dB @ DC to 4 GHz ≥ 32 dB @ 4 GHz to 6 GHz
Insertion loss Dämpfung	≤ 0.05 x √f (GHz) dB
Insulation resistance Isolationswiderstand	≥ 5 GΩ
Center contact resistance Übergangswiderstand Innenleiter	≤ 1 mΩ
Outer contact resistance Übergangswiderstand Außenleiter	≤ 1 mΩ
Test voltage Prüfspannung	2500 V rms
Working voltage Betriebsspannung	500 V rms
Power handling Leistungsbelastbarkeit	500 W @ 2 GHz / 90 °C
RF leakage - Interface Schirmdämpfung	≥ 120 dB @ DC to 6 GHz (screw type) ≥ 90 dB @ DC to 3 GHz (hand-screw / quick-lock) ≥ 70 dB @ 3 GHz to 6 GHz (hand-screw / quick-lock)
Intermodulation 3rd order Intermodulation 3. Ordnung	≤ -160 dBc (2 x 46 dBm) @ 0.4 to 4 GHz ≤ -166 dBc (2 x 43 dBm) @ 0.4 to 4 GHz
Mechanical data Mechanische Daten	
Mating cycles Steckzyklen	≥ 100
Coupling nut retention Überwurfmutter Haltekraft	≥ 450 N
Center contact captivation Innenleiter Haltekraft	axial: ≥ 30 N radial: ≥ 5 Ncm
Engagement force Steckkraft	100 N (typ.)
Disengagement force Ziehkraft	80 N (typ.)
Coupling test torque Prüfdrehmoment	8 Nm
Coupling torque recommended Drehmoment empfohlen	5 Nm
Pitch Packungsdichte	≥ 25.4 mm
Environmental data Umweltdaten	
Temperature range Temperaturbereich	-55 °C to +90 °C
Thermal shock Temperaturzyklen	IEC 61169-1, Sub-clause 9.4.4
Damp heat Feuchte Wärme	IEC 61169-1, Sub-clause 9.4.3
Climatic category Klimakategorie	IEC 60068-2-1 55/155/56
Degree of protection (mated pair) Schutzgrad (gekoppeltes Paar)	IEC 60529, IP 68
Corrosion resistance Korrosionsbeständigkeit	ISO 21207 Method B
Vibration Vibration	IEC 61169-1, Sub-clause 9.3.3
Shock Schock	IEC 60068-2-27
Max. soldering temperature (PCB connectors) Max. Löttemperatur (Leiterplattensteckverbinder)	IEC 61760-1, +260 °C for 10 sec.
Materials Materialien	
Spring loaded contact parts Federnde Kontaktteile	CuBe / CuZnSi, Ag plating
Center contact Innenleiter	CuBe / CuZn, Ag plating
Outer contact Außenleiter	CuZnSi / CuZn, Ag / white bronze plating
Body Gehäuse	CuZn, white bronze plating
Coupling nut Überwurfmutter	CuZn, white bronze plating
Locking sleeve Verriegelungshülse	CuZn, white bronze plating
Dielectric Dielektrikum	PTFE
Gasket Dichtung	Rubber

Rosenberger connectors generally fulfill the indicated technical data. Individual values of connectors may deviate depending upon application, design, type of cable, assembly method and workmanship. Data sheets for particular products can be downloaded on our website or can be provided on request from your Rosenberger sales partner.

Rosenberger-Steckverbinder erfüllen grundsätzlich die hier angegebenen technischen Daten. Je nach Anwendung, Bauart, Kabeltyp, Montageart und -ausführung können einzelne Werte der Steckverbinder hiervon abweichen. Datenblätter zu einzelnen Produkten können Sie von unserer Website herunterladen oder auf Anfrage von Ihrem Rosenberger-Ansprechpartner erhalten.